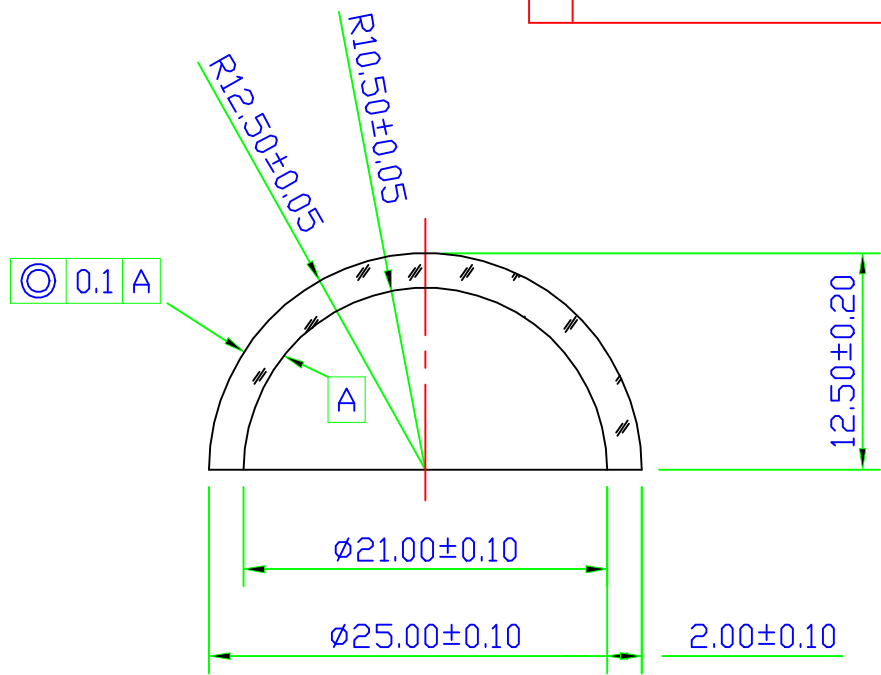


REVISIONS			
LTR	ECD	DATE	APPROVED



ACCORDING TO DIN 3140

SURFACE 1	MATERIAL	SURFACE 2
R = 12.5 ±0.05mm 3/ 4/ $\text{◎ } 0.1 \text{ A}$ 5/60-40 Chamfer: 0.2-0.5	N-BK7 (SCHOTT) Or H-K9L (CDGM) ne = ve = 1/ 2/ 6/	R = 10.5 ±0.05mm 3/ 4/ A 5/60-40 Chamfer: 0.2-0.5

APPLICATION		NEXT ASSY		USED ON	

ALL DIMENSIONS IN MM UNLESS OTHERWISE STATED			
IF IN DOUBT -ASK		SCALE	NTS
TOLERANCE (UNLESS OTHERWISE STATED)		DESIGN	DATE
.X ± FRACTION ±		DRAWN	Rayan Lud 29-6-2016
.XX ± ANGLE ±		CHECKED	
.XXX ± GENERAL ±		CHECKED	
		APPR'D	
		SHEET	1 OF 1

TITLE :	
REF NO :	SIZE: A4
DRAWING NO : CLZ-DOME-25	