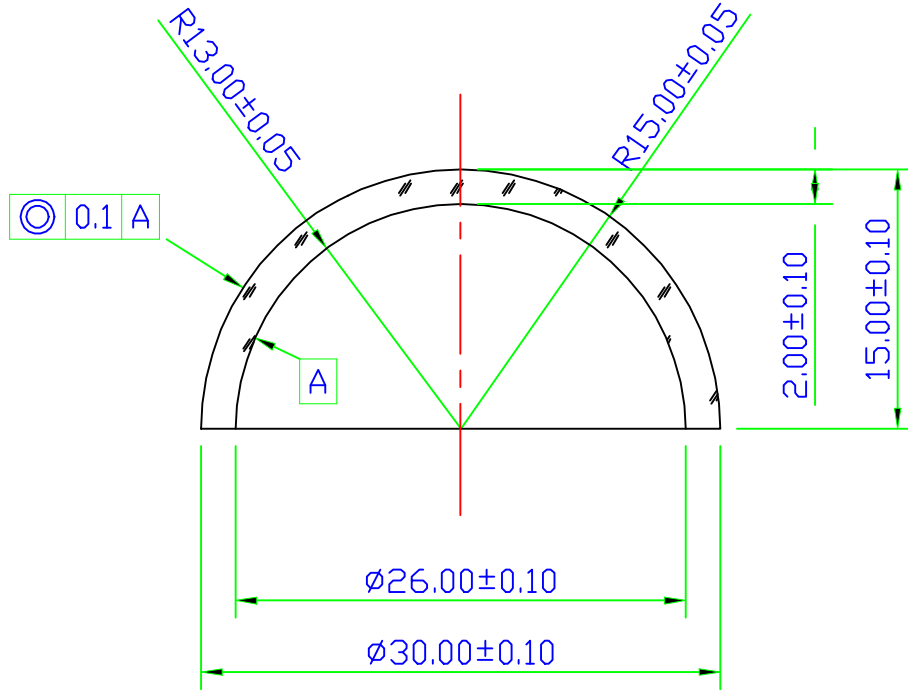


REVISIONS			
LTR	ECD	DATE	APPROVED



ACCORDING TO DIN 3140

SURFACE 1	MATERIAL	SURFACE 2
$R = 15 \pm 0.05\text{mm}$ 3/ $\text{◇◇◇}$ 4/ $\text{◎ } 0.08 \text{ A}$ 5/60-40 Chamfer: 0.2-0.5	N-BK7 (SCHOTT) Or H-K9L (CDGM) ne = ve = 1/ 2/ 6/	$R = 13 \pm 0.05\text{mm}$ 3/ $\text{◇◇◇}$ 4/ $\text{A}$ 5/60-40 Chamfer: 0.2-0.5

ALL DIMENSIONS IN MM UNLESS OTHERWISE STATED		SCALE NTS		DATE
IF IN DOUBT -ASK		DESIGN		
TOLERANCE (UNLESS OTHERWISE STATED)		DRAWN	Rayan Lud	9-4-2019
.X ± FRACTION ±		CHECKED		
.XX ± ANGLE ±		CHECKED		
.XXX ± GENERAL ±		APPR'D		
NEXT ASSY	USED ON	SHEET 1 OF 1		
APPLICATION				
		TITLE :		
		REF NO :		SIZE: A4
		DRAWING NO : CLZ-DOME-30		