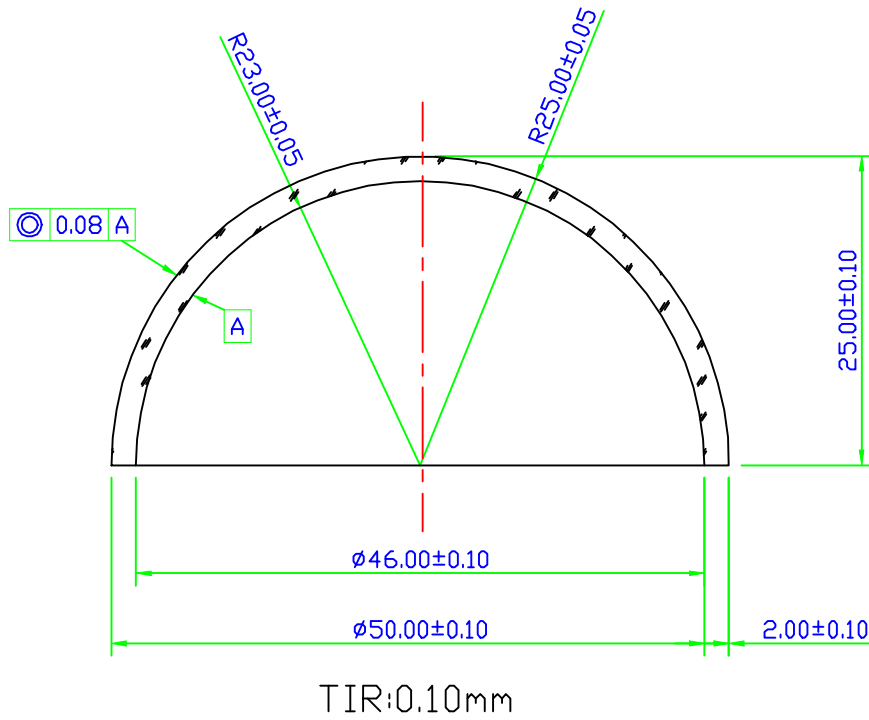


REVISIONS			
LTR	ECD	DATE	APPROVED



ACCORDING TO DIN 3140

SURFACE 1	MATERIAL	SURFACE 2
$R = 25 \pm 0.05\text{mm}$ 3/ 10<5> A 4/ 0.08 A 5/4x0.16 Chamfer: 0.2-0.5	N-BK7 (SCHOTT) OR EQUIVALENTS 1/ 2/ 6/	$R = 23 \pm 0.05\text{mm}$ 3/ 10<5> A 4/ A 5/4x0.16 Chamfer: 0.2-0.5

ALL DIMENSIONS IN MM UNLESS OTHERWISE STATED		SCALE NTS		DATE
IF IN DOUBT -ASK		DESIGN		
TOLERANCE (UNLESS OTHERWISE STATED)		DRAWN	Rayan Lud	29-6-2013
.X ± FRACTION ±		CHECKED		
.XX ± ANGLE ±		CHECKED		
.XXX ± GENERAL ±		APPR'D		
NEXT ASSY	USED ON	TITLE : Outer Dome		
APPLICATION		REF NO :		SIZE: A4
		DRAWING NO :		CLZ-DOME-50A
		SHEET 1 OF 1		