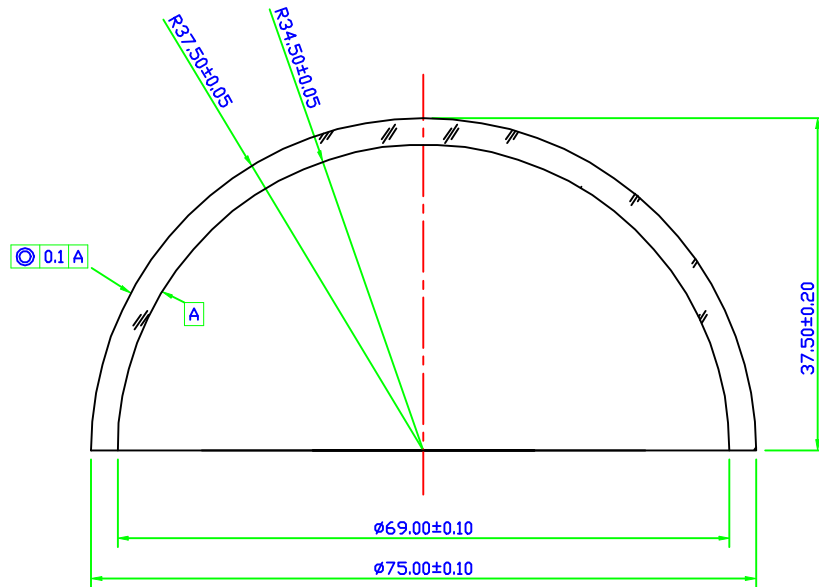


REVISIONS			
LTR	ECD	DATE	APPROVED



ACCORDING TO DIN 3140

SURFACE 1	MATERIAL	SURFACE 2
R = 37.5 ±0.05mm 3/-⟨5⟩ 4/ 0.1 A 5/60-40 Chamfer: 0.2-0.5	H-K9L⟨CDGM⟩ OR EQUIVALENTS 1/ 2/ 6/	R = 34.5 ±0.05mm 3/-⟨5⟩ 4/ A 5/60-40 Chamfer: 0.2-0.5

APPLICATION		ALL DIMENSIONS IN MM UNLESS OTHERWISE STATED		SCALE NTS		DATE
NEXT ASSY	USED ON	IF IN DOUBT -ASK		DESIGN		TITLE : Catalog Domes REF NO : DRAWING NO : CLZ-Dome-75A
APPLICATION		TOLERANCE (UNLESS OTHERWISE STATED)		DRAWN	Royan Luo	
		.X ± FRACTION ±		CHECKED		
		.XX ± ANGLE ±		CHECKED		
		.XXX ± GENERAL ±		APPR'D		
				SHEET	1 OF 1	