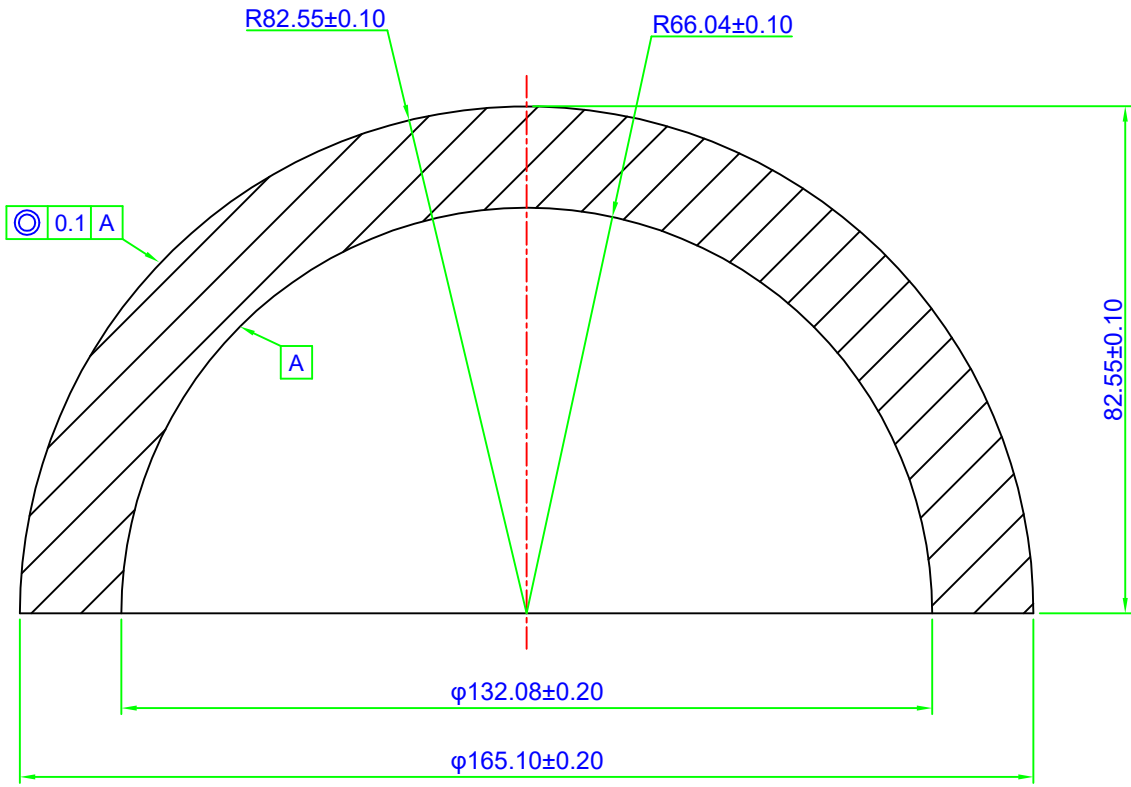


| REVISIONS | | | |
|-----------|-----|------|----------|
| LTR | ECD | DATE | APPROVED |
| | | | |
| | | | |
| | | | |



| SURFACE 1 | MATERIAL | SURFACE 2 |
|---|--|---|
| R = 82.55 ±0.10mm 3/ 10(5) 4/ 0.1 A 5/ 80-50 Chamfer: 0.5-1.0mm ×45° | H-K9L (CDGM) nd=1.51680 vd=64.20 0/ 1/ 2/ 6/ | R = 66.04 ±0.10mm 3/ 10(5) 4/ A 5/ 80-50 Chamfer: 0.5-1.0mm ×45° |

| | | | | | |
|--|--|----------|-----------|-------------------------|---|
| PROTECTIVE CHAMFERS AS NEEDED | ALL DIMENSIONS IN MM UNLESS OTHERWISE STATED | | | MANUFACTURER FROM CHINA | |
| NOTICE: DIMENSIONS ARE FOR REFERENCE ONLY | IF IN DOUBT -ASK | Name | DATE | TITLE | CATALOG OF CLZ OPTICAL DOMES 165.10MM DIA, 16.51MM THICK, UNCOATED H-K9L DOME |
| | TOLERANCE (UNLESS OTHERWISE STATED) | DESIGN | Royan Luo | | |
| FOR INFORMATION ONLY: DO NOT MANUFACTURE PARTS TO THIS DRAWING | .X ± FRACTION ± | CHECKED | Bonnie He | 10/18/2024 | SIZE |
| | .XX ± ANGLE ± | POS | | | |
| | .XXX ± GENERAL ± | ENG APPR | | | DWG NO |
| | | MFG APPR | | | |
| | | | | | A4 |
| | | | | | CLZ-DOME-165 |