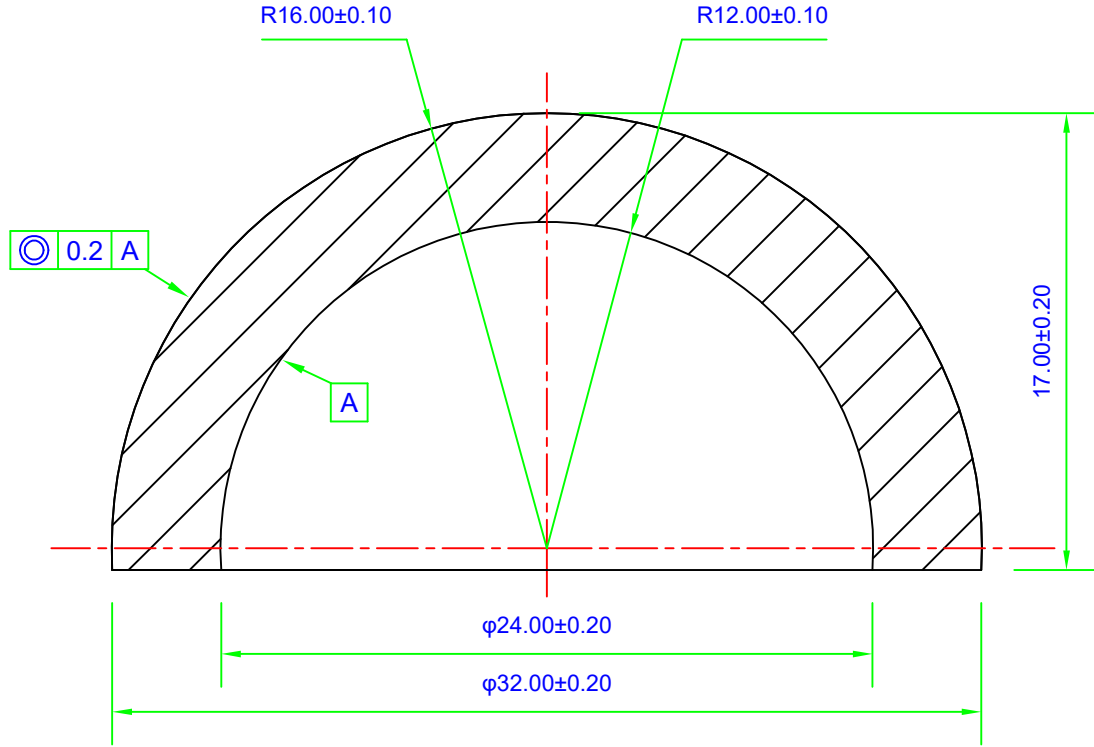


REVISIONS			
LTR	ECD	DATE	APPROVED



SURFACE 1	MATERIAL	SURFACE 2
R = 16 ±0.10mm 3/ 10(5) 4/ 0.2 A 5/ 60-40 Chamfer: 0.2-0.5mm ×45°	H-K9L (CDGM) nd=1.51680 vd=64.20 0/ 1/ 2/ 6/	R = 12 ±0.10mm 3/ 10(5) 4/ A 5/ 60-40 Chamfer: 0.2-0.5mm ×45°

PROTECTIVE CHAMFERS AS NEEDED	ALL DIMENSIONS IN MM UNLESS OTHERWISE STATED			CLZ OPTICAL MANUFACTURER FROM CHINA	
NOTICE: DIMENSIONS ARE FOR REFERENCE ONLY	IF IN DOUBT -ASK	DESIGN	Name		
FOR INFORMATION ONLY: DO NOT MANUFACTURE PARTS TO THIS DRAWING	TOLERANCE (UNLESS OTHERWISE STATED)	CHECKED	Lucas Luo	6/08/2016	TITLE
	.X ± FRACTION ±	POS	Sally Song	6/10/2016	
	.XX ± ANGLE ±	ENG APPR			SIZE
	.XXX ± GENERAL ±	MFG APPR			DWG NO
					CATALOG OF CLZ OPTICAL DOMES 32mm DIA, 4mm THICK, UNCOATED H-K9L DOME
					A4
					CLZ-DOME-32