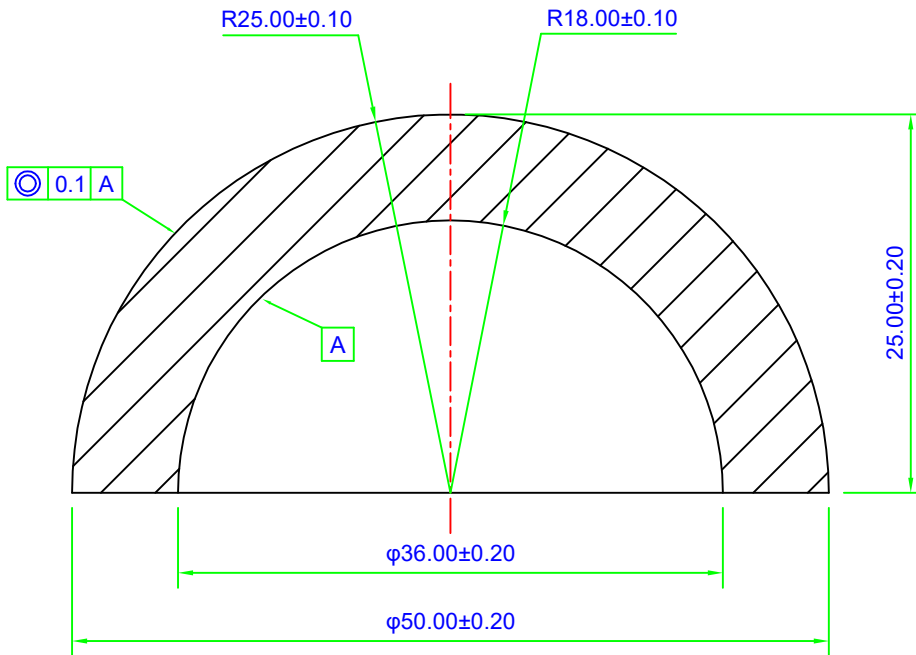


REVISIONS			
LTR	ECD	DATE	APPROVED



SURFACE 1	MATERIAL	SURFACE 2
R = 25.00 ±0.10mm 3/ 10(5) 4/  0.1 A 5/ 60-40 Chamfer: 0.2-0.5mm ×45°	H-K9L (CDGM) nd=1.51680 vd=64.20  0/ 1/ 2/ 6/	R = 18.00 ±0.10mm 3/ 10(5) 4/  A 5/ 60-40 Chamfer: 0.2-0.5mm ×45°

PROTECTIVE CHAMFERS AS NEEDED	ALL DIMENSIONS IN MM UNLESS OTHERWISE STATED			MANUFACTURER FROM CHINA	
NOTICE. DIMENSIONS ARE FOR REFERENCE ONLY	IF IN DOUBT -ASK	DESIGN	Name	DATE	TITLE
	TOLERANCE (UNLESS OTHERWISE STATED)	CHECKED	Sally Song	11/29/2024	
FOR INFORMATION ONLY: DO NOT MANUFACTURE PARTS TO THIS DRAWING	.X ± FRACTION ±	POS			SIZE
	.XX ± ANGLE ±	ENG APPR			A4
	.XXX ± GENERAL ±	MFG APPR			DWG NO
					<b>CLZ-DOME-50C</b>