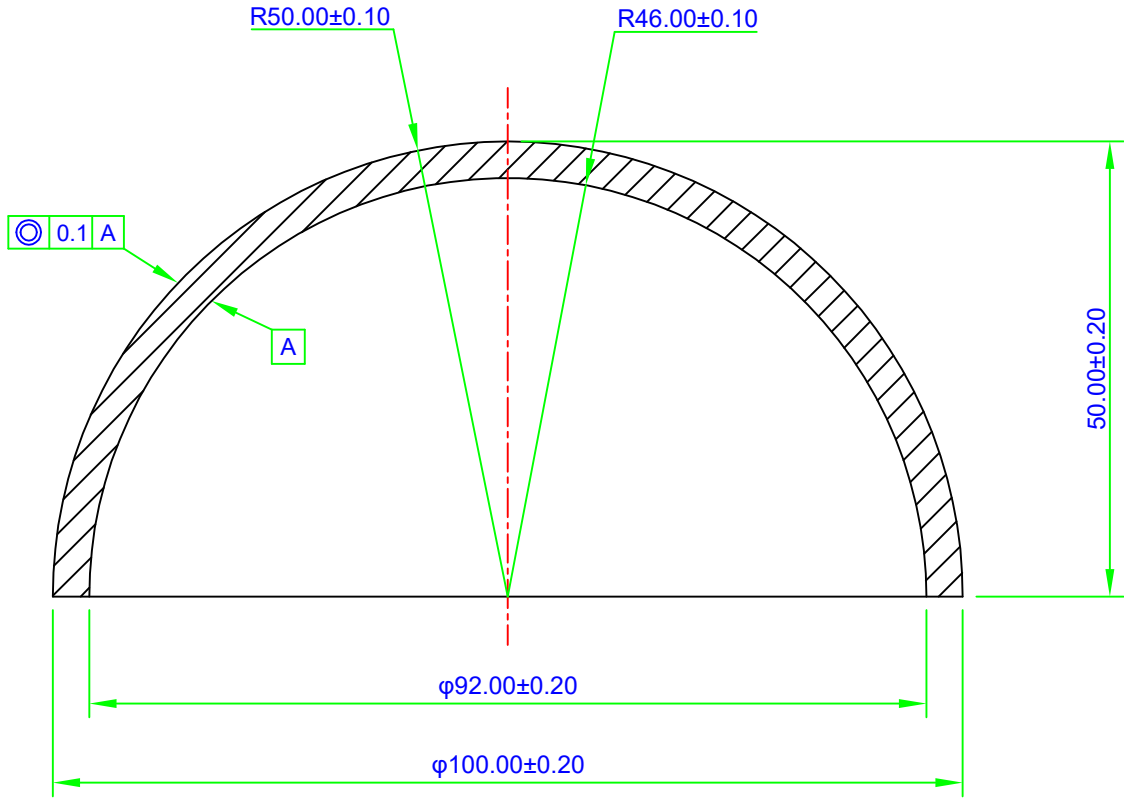


REVISIONS			
LTR	ECD	DATE	APPROVED



SURFACE 1	MATERIAL	SURFACE 2
R = 50.00 ± 0.10mm 3/ 10(5) 4/ 5/ 60-40 Chamfer: 0.2mm × 45°	JGS1 UV Fused Silica 0/ 1/ 2/ 6/	R = 46.00 ± 0.10mm 3/ 10(5) 4/ 5/ 60-40 Chamfer: 0.2mm × 45°

PROTECTIVE CHAMFERS AS NEEDED	ALL DIMENSIONS IN MM UNLESS OTHERWISE STATED			 CLZ OPTICAL MANUFACTURER FROM CHINA		
	IF IN DOUBT -ASK	Name	DATE			
NOTICE. DIMENSIONS ARE FOR REFERENCE ONLY	TOLERANCE (UNLESS OTHERWISE STATED)	DESIGN	Sally Song	12/18/2024	TITLE	CATALOG OF CLZ OPTICAL DOMES 100MM DIA, 4MM THICK, UNCOATED UV FUSED SILICA DOME
	.X ± FRACTION ±	CHECKED				
FOR INFORMATION ONLY: DO NOT MANUFACTURE PARTS TO THIS DRAWING	.XX ± ANGLE ±	POS			SIZE	A4
	.XXX ± GENERAL ±	ENG APPR			DWG NO	CLZ-DOME-100C
		MFG APPR				