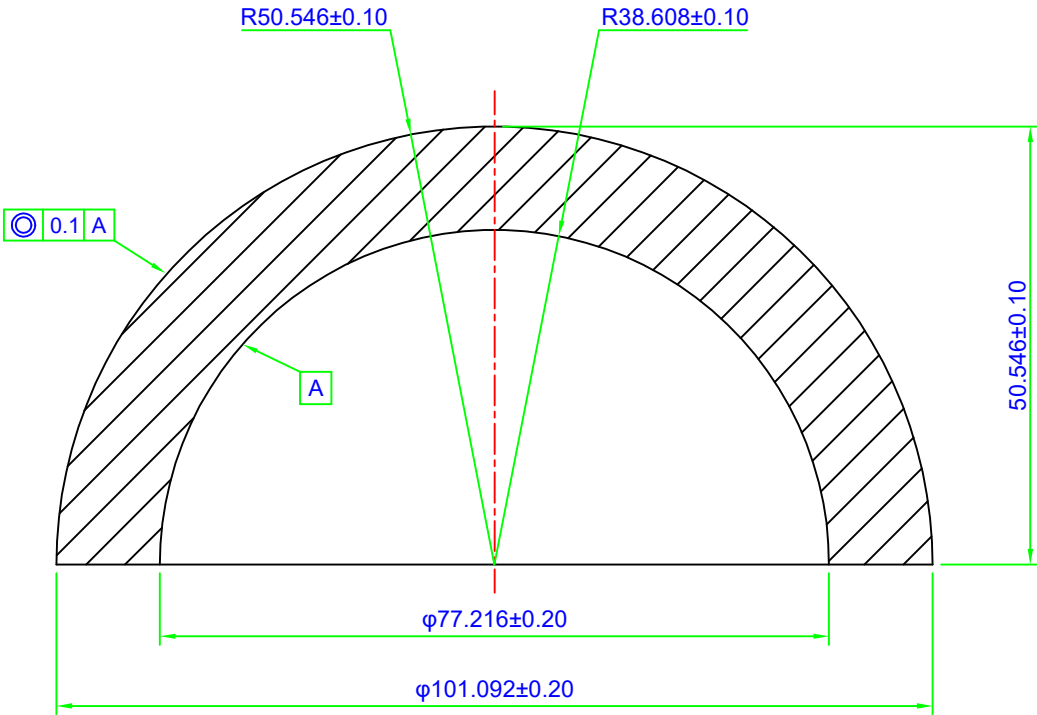


REVISIONS			
LTR	ECD	DATE	APPROVED



SURFACE 1	MATERIAL	SURFACE 2
R = 38.608 ± 0.10 mm 3/ 10(5) ◇◇◇ 4/ 0.1 A 5/ 60-40 Chamfer: 0.2mm $\times 45^\circ$	Fused Silica 0/ 1/ 2/ 6/	R = 50.546 ± 0.10 mm 3/ 10(5) ◇◇◇ 4/ A 5/ 60-40 Chamfer: 0.2mm $\times 45^\circ$

PROTECTIVE CHAMFERS AS NEEDED	ALL DIMENSIONS IN MM UNLESS OTHERWISE STATED Ⓜ Ⓢ			 CLZ OPTICAL MANUFACTURER FROM CHINA	
NOTICE. DIMENSIONS ARE FOR REFERENCE ONLY	IF IN DOUBT - ASK	Name	DATE	TITLE	CATALOG OF CLZ OPTICAL DOMES 101MM DIA, 12MM THICK, UNCOATED FUSED SILICA DOME
	TOLERANCE (UNLESS OTHERWISE STATED)	DESIGN	Sally Song		
FOR INFORMATION ONLY: DO NOT MANUFACTURE PARTS TO THIS DRAWING	.X ± FRACTION ±	CHECKED		SIZE	A4
	.XX ± ANGLE ±	POS			
	.XXX ± GENERAL ±	ENG APPR			
		MFG APPR		DWG NO	CLZ-DOME-101B